

# 8783 OWNERS' INSTRUCTION MANUAL

  
CORTELCO



## Features

- High Quality Speakerphone
- Message Waiting and Incoming Call Indication
- Caller ID Type 2 with name and number display and 80 record memory
- Phonebook with 72 entries – 22 digits and 14 characters per entry
- Nine speed dial keys
- Enhanced Redial – Review and redial any of last 16 numbers dialed
- Mute
- Flash
- Three-line LCD with adjustable contrast
- Volume adjustment for Handset, Headset, Speakerphone and Ringer
- Dual position stand for easy operation and better viewing
- 2.5 mm Headset Jack
- Support for multiple languages

PLEASE READ THIS INSTRUCTION MANUAL BEFORE USING  
YOUR NEW TELEPHONE AND KEEP IT FOR FUTURE REFERENCE

---

## IMPORTANT SAFETY INSTRUCTIONS

Always follow basic safety precautions when using your telephone to reduce the risk of fire, electrical shock, and injury.

1. Read and understand all instructions in the Owner's Instruction Manual.
2. Read all warnings and follow all instructions marked on the product.
3. Use a damp cloth for cleaning. Do not use liquid or aerosol cleaners.
4. Do not use the telephone near water. For example, do not use near a bathtub, wash bowl, kitchen sink, laundry tub, swimming pool, or in a wet basement.
5. Do not place this product on an unstable cart or stand. The product may fall causing serious damage to the product.
6. Use only the type batteries indicated on the label.
7. Do not place any objects on the telephone line cord. Do not locate the telephone where the line cord will be walked on.
8. Do not block or cover ventilation slots and openings in the bottom of the telephone. The openings should never be blocked by placing the telephone on a bed, sofa, rug, or other similar surfaces. The telephone should never be placed near or over a radiator or heat register. The telephone should never be placed in a built-in installation unless proper ventilation is provided.
9. Never spill liquid on the telephone or push objects of any kind through ventilation slots. Liquid or objects may touch dangerous voltage points or short out parts that could result in a risk of fire or electrical shock.
10. Do not disassemble this product. Opening or removing covers may expose you to dangerous voltages or other risks. Incorrect reassembly can cause electrical shock when the product is subsequently used.
11. Avoid using a telephone during a local thunderstorm. There may be a remote risk of electrical shock from lightning.
12. Do not use a telephone to report a gas leak in the vicinity of the leak.
13. Refer servicing to qualified service personnel under the following conditions:
  - When the line cord is frayed or plugs damaged.
  - If liquid has been spilled into the telephone or if the telephone has been exposed to rain or water.
  - If the telephone does not operate properly by following the operating instructions. (Adjust only those controls covered by the operating instructions. Improper adjustment of other controls may result in damage and will often require extensive work by a qualified technician to restore the product to normal operation.)
  - If the telephone has been dropped or the housing damaged.
  - If the telephone exhibits a distinct change in performance.

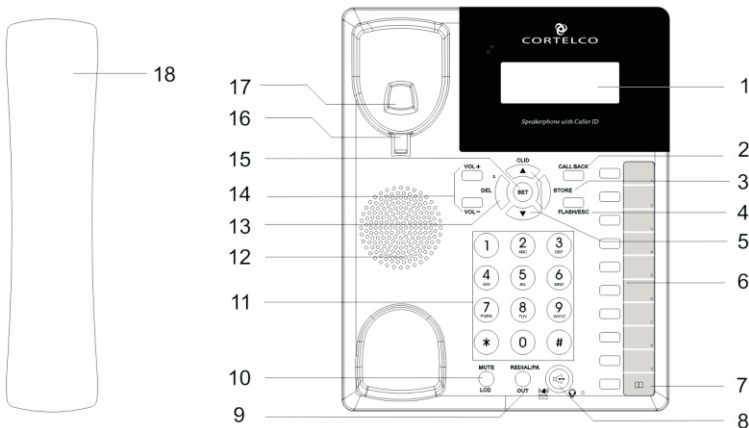
**SAVE THESE INSTRUCTIONS**

## CAUTION:

Please observe the following safety instructions for the batteries.

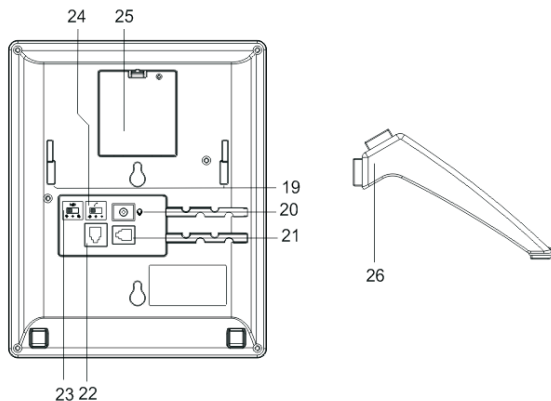
- Disconnect the telephone line from the equipment before opening the battery door.
- The 8783 uses 4 AAA size Alkaline or Zinc Carbon batteries.
- There is a risk of explosion if an incorrect type or battery is used.
- Install the batteries according to the polarity markings in the battery compartment.
- Dispose of used batteries according to the battery manufacturers' instructions. Incorrect disposal can result in an explosion.

## LOCATIONS AND FUNCTIONS



1. Liquid Crystal Display (LCD) - Display phone numbers, date, time, and name.
2. CALL BACK - Press to dial the displayed caller ID/ phonebook/ dialed number
3. STORE - Press to store the speed dial memories
4. FLASH/ESC
  - a. When on a call, this provides a Flash to access Call Waiting or various PBX features.
  - b. When in the menu, this exits setting mode.
5. CLID ▲ or ▼ - Used for up/down scrolling in menu setting, caller ID and phonebook reviewing.
6. Speed dial keys - Press to dial out the stored number.
7. Phonebook - Press to enter the phonebook.
8. Speakerphone, Headset, Message Waiting & Incoming call indication.
  - a. Press to activate speakerphone or headset. Note that the speakerphone will not function if a headset is connected.
  - b. LED will flash when the unit has an incoming call or a message.
9. REDIAL/PA/ OUT
  - a. REDIAL: Press to dial the last dialed number.
  - b. PAUSE: During memory storage, press to insert a 3.6 second pause
  - c. OUT: Press to review the last 16 dialed numbers.

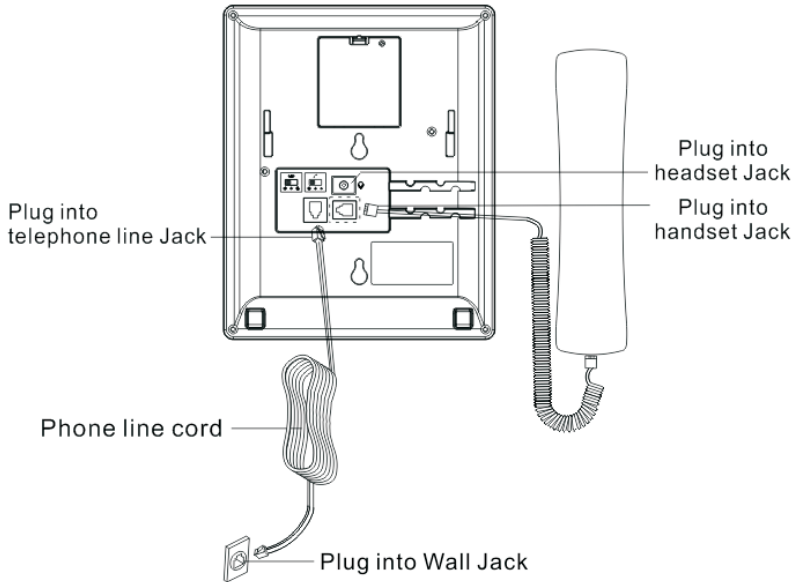
10. MUTE/ LCD
  - a. While on a call press to turn off the microphone.
  - b. While on-hook, press to adjust LCD contrast.
11. Dialing keys (0- 9, \*, #) - Dial numbers and extensions.
12. Speaker - Used for ringer & speakerphone.
13. DEL
  - a. Press to delete digits when storing phone number.
  - b. Press to delete the entry when reviewing caller ID or phonebook entries.
14. VOL+/VOL-
  - a. Handset mode, press to adjust Handset volume (2 Levels)
  - b. Speakerphone mode, press to Adjust speakerphone volume (2 Levels)
  - c. Headset mode, press to adjust headset volume (2 Levels)
15. SET - Press to enter menu setting.
16. Handset hook -Turns 180 degrees to hang up the handset when the unit is mounted on the wall.
17. Hook switch - Hang up the handset or press to disconnect the line.
18. Handset



19. Slot for stand
20. Headset jack
21. Handset cord jack
22. Line cord jack
23. Ringer volume HI- LO-OFF
24. Handset volume HI- MI- LO
25. Battery compartment
26. Stand

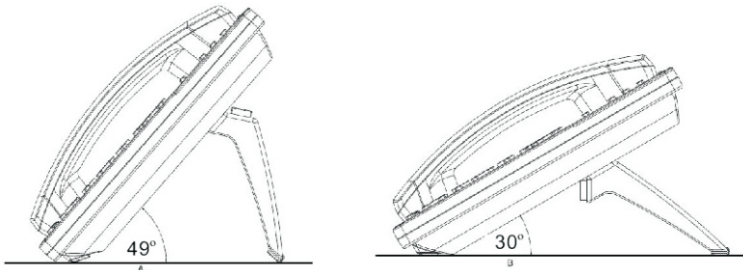
## INSTALLATION

1. Connect one end of the handset coil cord into the jack on the handset and connect the other end into the handset jack in the base.
2. Plug one end of the line cord into the line cord jack in the base and connect the other end to the wall jack.
3. Connect the headset to the headset jack if desired.



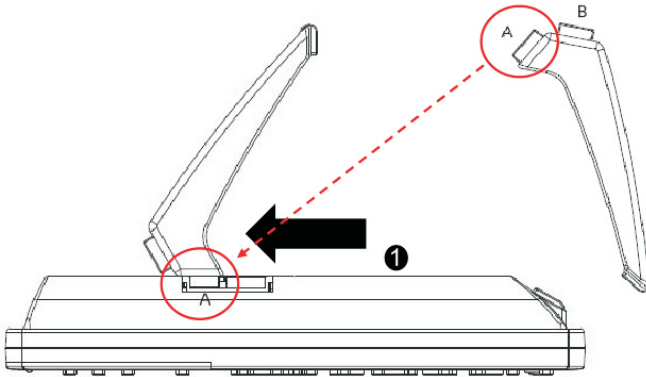
## Stand Installation

The phone can support two different tilt angles of 49° and 30° (see below).

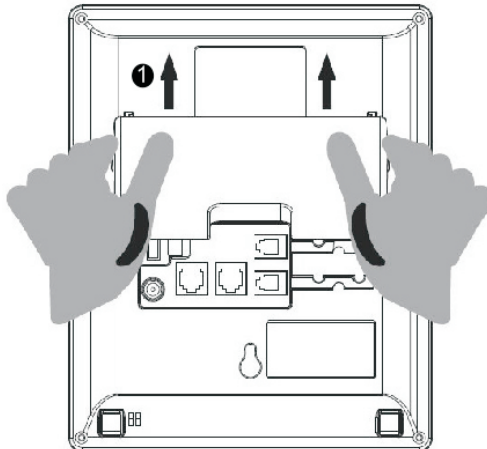


## Attaching the stand to the phone

There are two sets of tabs on the top of the stand marked A and B in the drawing below.

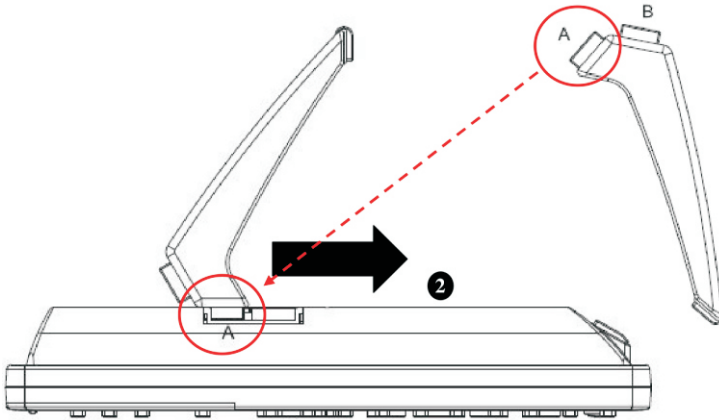


To attach the stand to the phone at 49°, place the phone face down on a firm surface and slide the “A” tab into the notch as shown above. To attach at 30°, slide the “B” tab into the notch.



## Detaching the stand from the phone

To remove the stand from the phone, place the phone face down on a firm surface and slide the tab out of the notch as shown below.








## FUNCTION SETTING

Note: All function setting is done with the phone on hook.

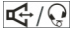







1. Set month, date, and time
  - a. Press SET and ▲▼ to enter DATE/TIME menu.
  - b. Press SET. The digit of the month will flash.
  - c. Press ▲▼ to select the month.
  - d. Press SET to confirm.
  - e. Repeat the procedure to set DATE and TIME. Note that time is displayed in a 24-hour format.
2. Set area code
  - a. Press SET and ▲▼ to enter LOCAL AREA CODE menu.
  - b. Press SET and input the local area code.
  - c. Press SET to confirm or Press DEL to delete.
3. Set Long Distance Code
  - a. Press SET and ▲▼ to enter LONG DIST CODE menu.
  - b. Press SET and enter the prefix digit.
  - c. Press SET to confirm.
4. Set the language
  - a. Press SET and ▲▼ to enter SELECT LANGUAGE menu.
  - b. Press SET and ▲▼ to select the language.
  - c. Press SET to confirm.
5. Set flash time - The flash time default value is 600 mSec.
  - a. Press SET and ▲▼ to enter SET FLASH TIME menu.
  - b. Press ▲▼ to select the flash time (100/300/600/1000mSec)
  - c. Press SET to confirm.

6. Set Dial Mode (TONE/PULSE) The default is TONE.
  - a. Press SET and ▲▼ to enter TONE/PULSE menu.
  - b. Press SET and ▲▼ to select TONE DIAL or PULSE DIAL.
  - c. Press SET to confirm.
7. Exit setting mode.
  - a. Press SET and ▲▼ to enter EXIT SETUP.
  - b. Press SET to exit setting mode.

## OPERATION

1. Make a call
  - a. Pick up the handset to get a dial tone and dial the number.
  - b. To use the Speakerphone, press  and dial the number.
  - c. To use a Headset, connect it to the Headset jack, press  and dial the number.
2. Answer a call - Pick up the handset or press  to answer a call.
3. End a call - Hang up the handset or press  to end a call.
4. Switch Modes
  - a. When in speakerphone or headset mode, pick up the handset to switch to handset mode.
  - b. When in handset mode, press  and hang up the handset, to switch to speakerphone or headset.
5. Flash - This key provides a timed line break for accessing PBX services or for convenient use of call waiting from your telephone company.
  - a. PBX services will vary. Consult with your telecom department.
  - b. Press the flash button to place your current call on hold and pick up a call waiting call. Press again to return to the first call. Note that this feature will only work if you have call waiting service from your telephone company.
6. Redial/Pause
  - a. Redial - Press to dial the last dialed number.
  - b. Pause - When storing numbers in memory dial, press to insert a 3.6 second pause.
7. Speed dial keys
  - a. Store
    - i. With the phone On-hook status, press STORE. The LCD will display STORE MEMORY.
    - ii. Press the speed dial key (1-9).
    - iii. Press STORE.
    - iv. Enter the phone number. Use DEL to delete incorrect digits. If you have entered a long-distance code, it will be displayed. Used DEL to remove this if it is not needed.
    - v. Press STORE to enter the name.
    - vi. Use the dial keys 0-9 to enter the letters.
    - vii. Press STORE to exit and save the entry.



- viii. Briefly lift the handset and place it back on hook to return to the idle display.
  - b. Dial – Press M1-M9 to dial out the speed dial memories.
8. Memory Redial
- a. Press OUT to review the dialed numbers
  - b. Press CALL BACK, press  or pick up the handset to dial out the displayed number.
  - c. Press DEL once to delete the displayed number.
  - d. Press and hold DEL for 3 seconds to delete all dialed numbers. When the display says DELTE ALL, press DEL to confirm.
9. Mute
- a. Press MUTE to turn off the microphone while on a call. In this state, the distant party can be heard, but the distant party cannot hear the user.
  - b. Press MUTE again to return to a normal conversation.
10. Adjust handset/speakerphone volume - Press VOL+ / VOL- to adjust the handset or speakerphone volume.
11. Caller ID
- a. Review – Press ▲ or ▼ to review caller ID records. This can be done either on hook or off hook.
  - b. Press CALL BACK, press  or pick up the handset to dial out the displayed caller ID number.
  - c. Press DEL once to delete the displayed caller ID number.
  - d. Press and hold DEL for 3 seconds to delete all caller ID records. Press DEL to confirm when the display says DELETE ALL
12. PHONEBOOK
- a. Edit
    - i. With the phone on hook, press  to enter the phonebook. The display will show SEARCH ADD.
    - ii. Press ▲ ▼ to choose ADD.
    - iii. Press  to begin editing. Press ESC to exit.
    - iv. Use the dial keys (1-9) to enter the name. Use 0 to add a space.
    - v. Press  and use the dial keys (0-9) to enter the phone number.
    - vi. Press  to finish editing.
  - b. Review
    - i. With the phone on hook, press  to enter the phonebook. The display will show SEARCH ADD.
    - ii. Press ▲ ▼ to select SEARCH.
    - iii. Press ▲ ▼ to review the entries. Press ESC to exit.
    - iv. Press  or pick up the handset to dial the displayed number.
  - c. Delete
    - i. While reviewing phonebook entries press DEL. The display will show DELETE?
    - ii. Press DEL again to delete the displayed entry.

- iii. To delete all entries, press and hold DEL for 3 seconds. The display will show DELETE ALL?
- iv. Press DEL again to delete all phonebook entries.

## TROUBLE SHOOTING GUIDE

SYMPTOM	CAUSE AND REMEDY
Phone has no dial tone	Be sure the phone cord is connected to the wall jack and the jack in the base of the phone. Replace the 8783 with a phone that works on another phone jack. If the other phone does not have dial tone there is a problem with the jack.
Ringer volume is too low	Check that the ringer volume is not set to LOW
Phone can receive but cannot make calls	Check the dialing mode. Most modern telephone systems respond to TONE dialing. See FUNCTION SETTING for information on setting dial mode.



CAUTION: Disconnect the telephone line from the equipment before opening the battery door (should be marked next to the battery cover)

CAUTION: There is a risk of explosion if the battery is replaced by an incorrect type.

Dispose of used batteries according to the battery manufacturers' instructions.

Avoid using batteries in the following conditions:

- Extremely high or low temperature during use, storage or transportation.
- Disposal of a battery into fire or a hot oven, or mechanically crushing or cutting a battery can result in an explosion.
- Leaving a battery in an extremely high temperature environment can result in an explosion or the leakage of flammable liquid or gas.
- Extremely high temperature and/or extremely low air pressure can result in an explosion or the leakage of flammable liquid or gas.

Replacement of a battery with an incorrect type can defeat a safeguard.

The applied nameplate is located on the bottom of the telephone.

This equipment is only suitable for mounting at heights less than 2 meters.

## Consumer Information:

- a) This equipment complies with Part 68 of the FCC rules and the requirements adopted by the ACTA. On the bottom of this equipment is a label that contains, among other information, a product identifier in the format **US:UWITE07AUT9600MH**. If requested, this number must be provided to the telephone company.
- b) An applicable certification jacks Universal Service Order Codes (USOC) for the equipment is provided (i.e., **RJ11C**) in the packaging with each piece of approved terminal equipment.
- c) A plug and jack used to connect this equipment to the premises wiring and telephone network must comply with the applicable FCC Part 68 rules and requirements adopted by the ACTA. A compliant telephone cord and modular plug is provided with this product. It is designed to be connected to a compatible modular jack that is also compliant. See installation instructions for details.
- d) The REN is used to determine the number of devices that may be connected to a telephone line. Excessive RENs on a telephone line may result in the devices not ringing in response to an incoming call. In most but not all areas, the sum of RENs should not exceed five (5.0). To be certain of the number of devices that may be connected to a line, as determined by the total RENs, contact the local telephone company. [For products approved after July 23, 2001, the REN for this product is part of the product identifier that has the format **US:AAAEQ##TXXXX**. The digits represented by ## are the REN without a decimal point (e.g., 03 is a REN of 0.3). For earlier products, the REN is separately shown on the label.]
- e) If this equipment (**878300-TP2-27S**) causes harm to the telephone network, the telephone company will notify you in advance that temporary discontinuance of service may be required. But if advance notice isn't practical, the telephone company will notify the customer as soon as possible. Also, you will be advised of your right to file a complaint with the FCC if you believe it is necessary.
- f) The telephone company may make changes in its facilities, equipment, operations or procedures that could affect the operation of the equipment. If this happens the telephone company will provide advance notice in order for you to make necessary modifications to maintain uninterrupted service.

- g) Should you experience trouble with this equipment, please contact CORTELCO (TEL: 1-662-396-4174) for repair or warranty information. If the equipment is causing harm to the telephone network, the telephone company may request that you disconnect the equipment until the problem is resolved.
- h) Please follow instructions for repairing if any (e.g. battery replacement section); otherwise do not alternate or repair any parts of device except specified.
- i) Connection to party line service is subject to state tariffs. Contact the state public utility commission, public service commission or corporation commission for information.
- j) **NOTICE:** If your home has specially wired alarm equipment connected to the telephone line, ensure the installation of this UWITE16BUT9600PH does not disable your alarm equipment. If you have questions about what will disable alarm equipment, consult your telephone company or a qualified installer.
- k) This equipment is hearing aid compatible. NO

**NOTICE:** According to telephone company reports, AC electrical surges, typically resulting from lightning strikes, are very destructive to telephone equipment connected to AC power sources. To minimize damage from these types of surges, a surge arrester is recommended.